

PANEL-LOC PLUS TYPICAL FASTENER DETAILS OVER 15/32" PLYWOOD

FOR SLOPES LESS THAN 3:12
 1/4-14 X 3/4 LAP SCREW
 @ 24" O.C.
 3/16" X 1/4" BUTYL TAPE



#10 X 1 1/2" METAL TO WOOD
 SCREW W/ WASHER
 @ 24" O.C.

MAIN ZONE FASTENER PATTERN

FOR SLOPES LESS THAN 3:12
 1/4-14 X 3/4 LAP SCREW
 @ 24" O.C.
 3/16" X 1/4" BUTYL TAPE



#10 X 1 1/2" METAL TO WOOD
 SCREW W/ WASHER
 @ 12" O.C.

CORNER ZONE / EDGE ZONE FASTENER PATTERN

FOR SLOPES LESS THAN 3:12
 1/4-14 X 3/4 LAP SCREW
 @ 24" O.C.
 3/16" X 1/4" BUTYL TAPE



#10 X 1 1/2" METAL TO WOOD
 SCREW W/ WASHER
 (12) PER PANEL END

State of Florida
 C.O.A.
 # 26776

EAVE & VALLEY FASTENER PATTERN



PROJECT:
PANEL-LOC PLUS
FASTENER PATTERN

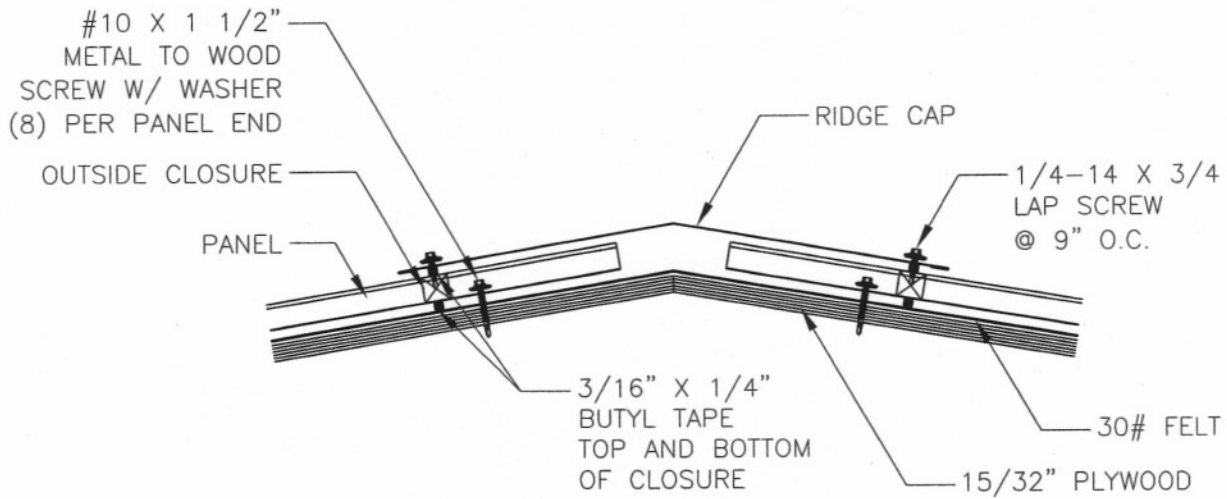
CENTRAL STATES
 MANUFACTURING, INC.

302 Jane Place - Lowell, AR 72745
 Phone 800.356.2733 - Fax 800.356.2971
 www.centralstatesmfg.com

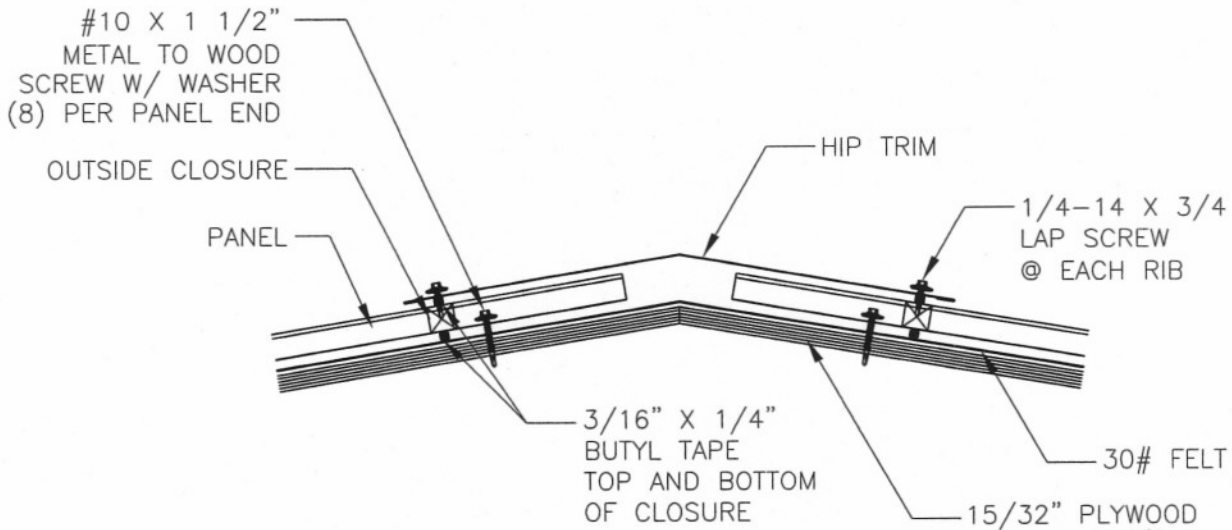
PRELIMINARY	DSJ	9/13/11	1 of 4
PRINTS ISSUED FOR	BY	DATE	

11/25/2012

PANEL-LOC PLUS TYPICAL DETAILS OVER 15/32" PLYWOOD

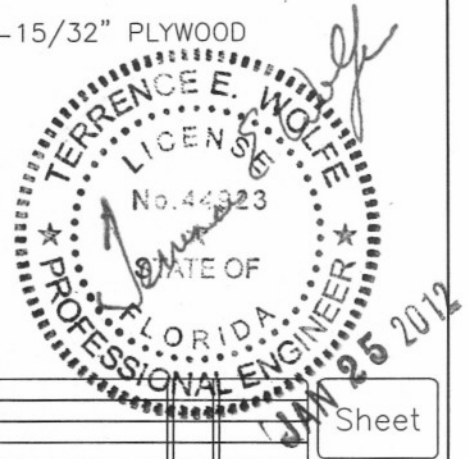


TYPICAL DETAILS
RIDGE



TYPICAL DETAILS
HIP

State of Florida
C.O.A.
26778



PROJECT:
PANEL-LOC PLUS
RIDGE & HIP DETAILS

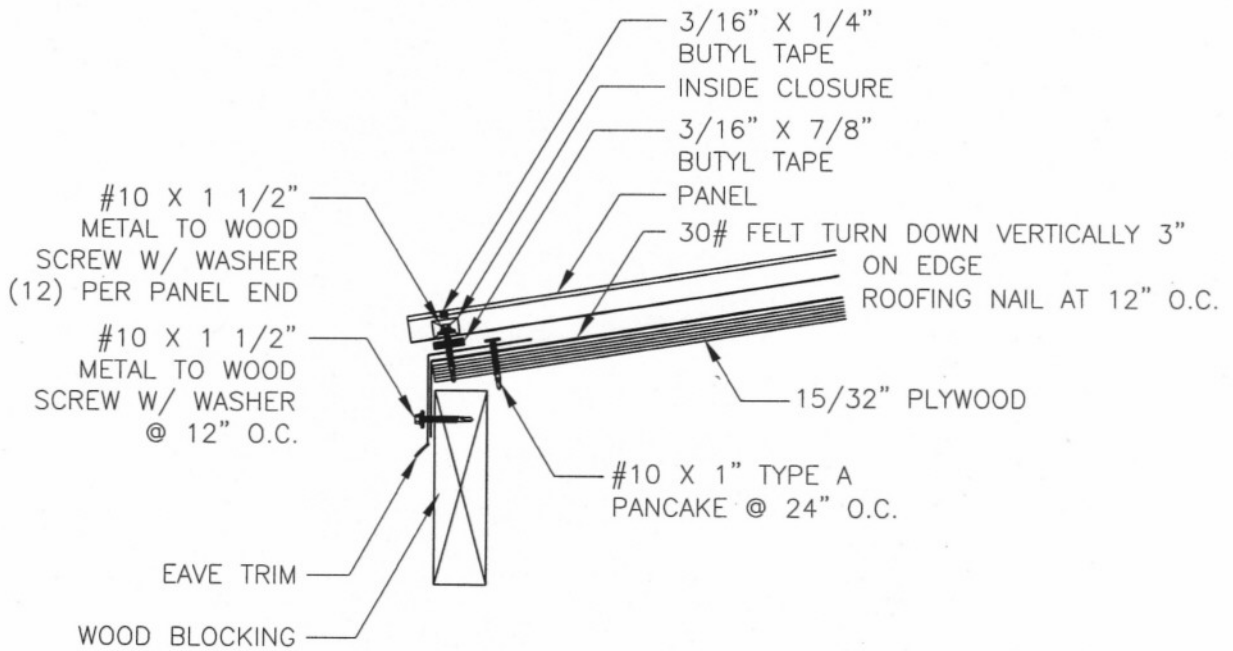
CENTRAL STATES
MANUFACTURING, INC.

302 Jane Place - Lowell, AR 72745
Phone 800.356.2733 - Fax 800.356.2971
www.centralstatesmfg.com

PRELIMINARY	DSJ	9/13/11
PRINTS ISSUED FOR	BY	DATE

Sheet
2 of 4

PANEL-LOC PLUS TYPICAL DETAILS OVER 15/32" PLYWOOD



TYPICAL DETAILS
RAKE

State of Florida
C.O.A.
26778



PROJECT:
PANEL-LOC PLUS
LOW EAVE DETAIL

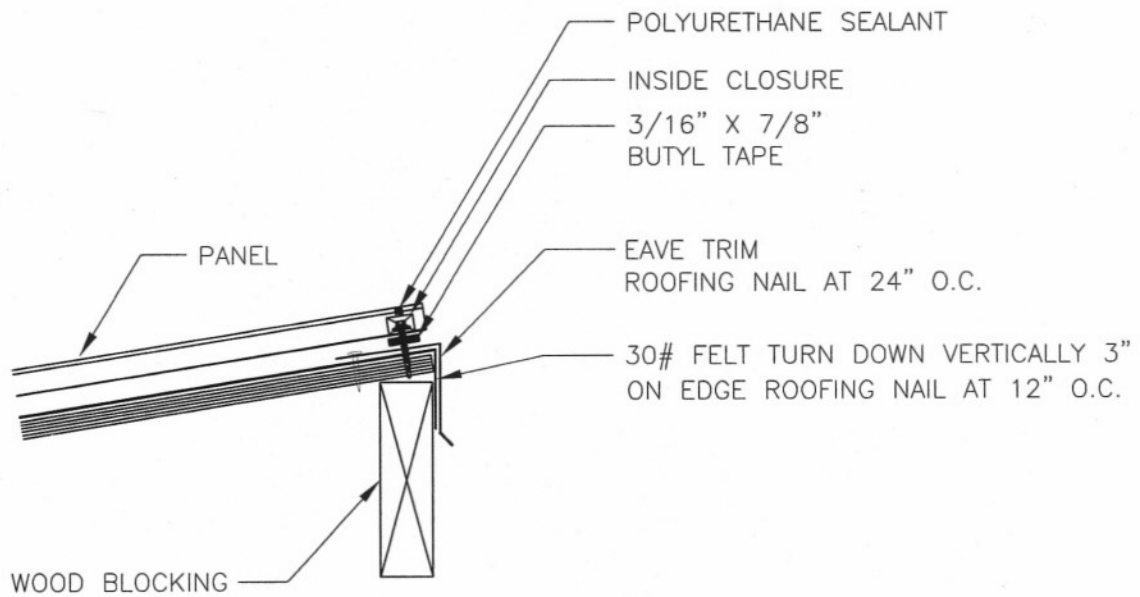
CENTRAL STATES
MANUFACTURING, INC.

302 Jane Place - Lowell, AR 72745
Phone 800.356.2733 - Fax 800.356.2971
www.centralstatesmfg.com

PRELIMINARY	DSJ	9/13/11	
PRINTS ISSUED FOR	BY	DATE	

Sheet
3 of 4

PANEL-LOC PLUS TYPICAL DETAILS OVER 15/32" PLYWOOD



TYPICAL DETAILS
HIGH EAVE

State of Florida
C.O.A.
26778



PROJECT:
PANEL-LOC PLUS
HIGH EAVE DETAIL

CENTRAL STATES
MANUFACTURING, INC.

302 Jane Place - Lowell, AR 72745
Phone 800.356.2733 - Fax 800.356.2971
www.centralstatesmfg.com

PRELIMINARY	DSJ	9/13/11
PRINTS ISSUED FOR	BY	DATE

Sheet
4 of 4